

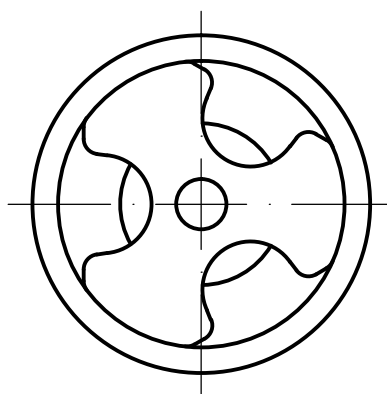
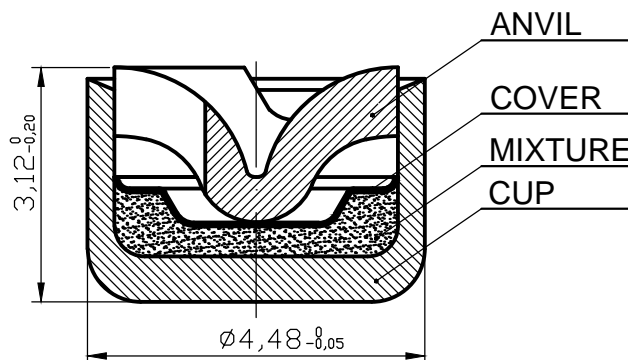


UNIS "GINEX" d.d.



PRIMER 4,5/3-P1 for Small pistol

EN ISO 9001:2015
EN ISO 14001:2015
EN ISO 45001:2018



DESIGNED FOR USE IN:
9mm LUGER; START 8mm; 9mm PA; 9mm KNALL; 9mm PARA; .25 ACP; .32 ACP; 380 AUTO; .38 SPECIAL

TECHNICAL CHARACTERISTICS		
Position	Material identification	Dimensions
Cup	CuZn30	0,42 ^{+0,02} ₀ mm
Anvil	CuZn30	0,91 ⁰ _{-0,03} mm
Cover	Paper disc	0,10 ⁰ _{-0,02} mm
Primer lacquers	Nitrolacquer red	-
Mixture	Non corrosive, without Hg	0,023 ^{±0,002} g

SENSITIVITY	
Ball weight	55 g
Upper statistical limit	$\bar{H} + 4S \leq 279,4\text{mm} (11")$
Lower statistical limit	$\bar{H} - 2S > 25,4 \text{ mm} (1")$
Firing pin	Ø2mm; R1,28mm
Testing in cartridge case	8mm; 9mm

PACKING	
100pcs. of primers packed into a plastic tray with carton cover	
50 pcs. of plastic trays packed into a carton box	
10 carton boxes (50 000 pcs. of primers) packed into a special (carton or wooden) case	

Tel: ++387 38 221 251, Fax: ++387 38 221 402, E-mail:ginexinfo@bih.net.ba
Visegradska bb, 73 000 Gorazde, Bosnia & Herzegovina