

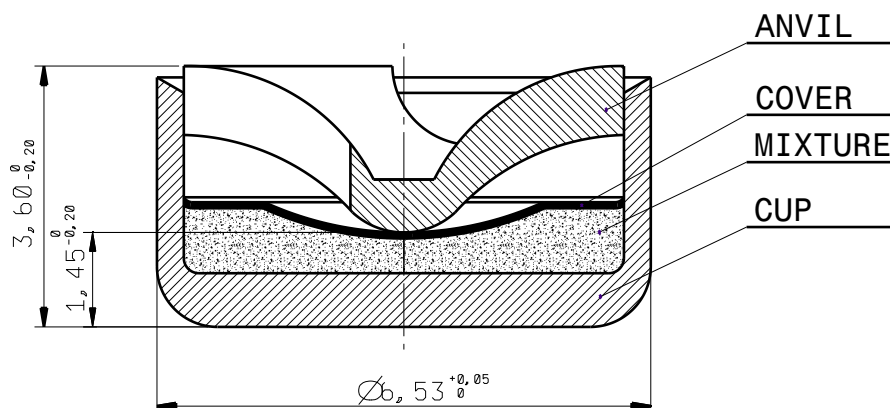


# UNIS "GINEX" d.d.



PRIMER 6,53/0,70

EN ISO 9001:2008  
EN ISO 14001:2004



DESIGNED FOR USE IN:  
.338 Lapua Magnum

TECHNICAL CHARACTERISTICS		
Position	Material identification	Dimensions
Cup	CuZn30	0,71 $^{0}_{-0,02}$ mm
Anvil	CuZn30	0,91 $^{0}_{-0,03}$ mm
Cover	Tinfoiled disc	0,05 $^{0}_{-0,02}$ mm
Primer lacquers	Nitrolacquer red	—
Mixture	Sinoxide, non corrosive, without Hg	0,068 $^{±0,002}$ g

SENSITIVITY	
Ball weight	111,7 $^{±0,57}$ g
Upper statistical limit	$\bar{H} + 5S \leq 381$ mm (15")
Lower statistical limit	$\bar{H} - 2S \geq 76,2$ mm (3")
Firing pin	Ø2mm; R1mm
Testing in cartridge case	7,62 x 54 R

PACKING	
1 000 pcs. of primers packed into carton box	
5 000 pcs. of primers ( 5 carton box) into intermediate carton box	
30 000 pcs. of primers (6 intermediate carton boxes) into a special (carton or wooden) case	