

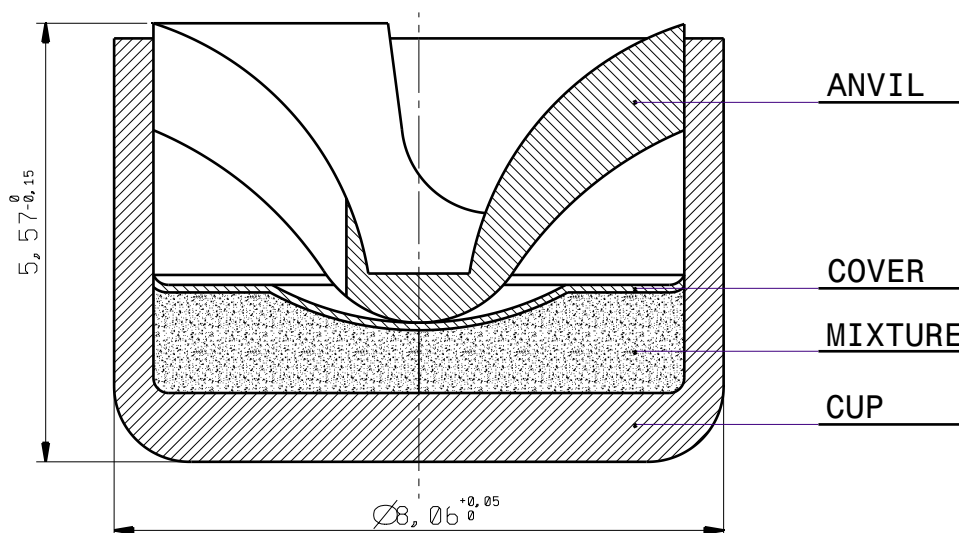


UNIS "GINEX" d.d.



PRIMER 12,7/3

EN ISO 9001:2008
EN ISO 14001:2004



DESIGNED FOR USE IN:
.50 BROWNING

TECHNICAL CHARACTERISTICS		
Position	Material identification	Dimensions
Cup	CuZn30	0,91 ⁰ _{-0,03} mm
Anvil	CuZn30	1,20 ^{±0,02} mm
Cover	Tinfoiled disc	0,05 ⁰ _{-0,02} mm
Primer lacquers	Nitrolacquer red	—
Mixture	Sinoxide, non corrosive, without Hg	0,130 ±0,005 g

SENSITIVITY	
Ball weight	225 g
Upper statistical limit	$\bar{H} + 5S \leq 381 \text{ mm (15")}$
Lower statistical limit	$\bar{H} - 2S \geq 76,2 \text{ mm (3")}$
Firing pin	Ø2mm; R1mm
Testing in cartridge case	12,7 mm (0,50") BROWNING

PACKING	
1 Carton box	500 pcs.
1 Intermediate box (5 carton boxes)	2 500 pcs
1 Cardboard case (6 intermediste boxes)	15 000 pcs.